

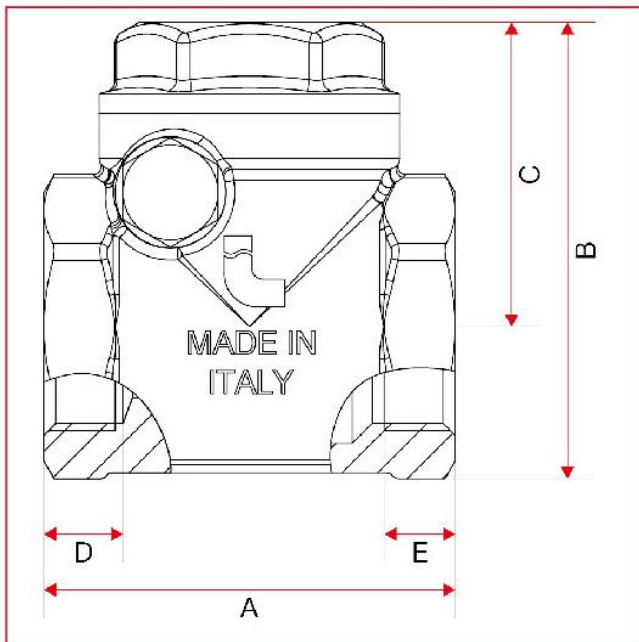


# VALVOLA CLAPET

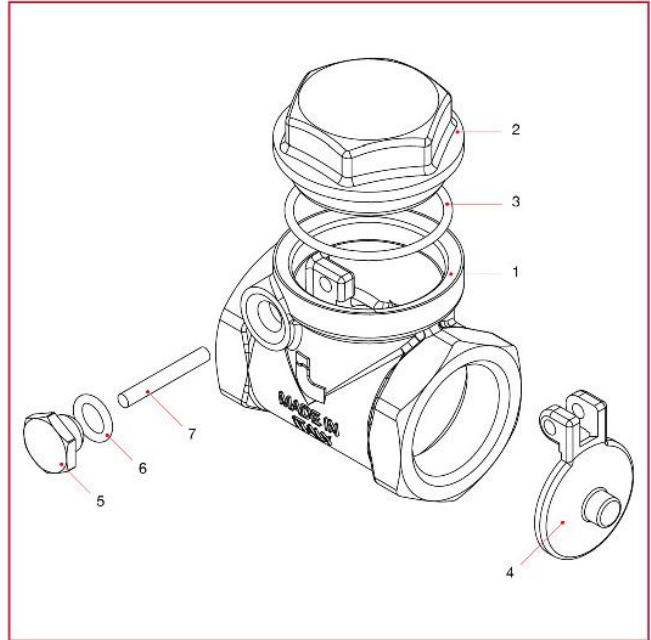
## 130 Valvola clapet



### INGOMBRI



### MATERIALI art.130M misure da 3/8" a 2"



| POS. | DESCRIZIONE | N. | MATERIALE     |
|------|-------------|----|---------------|
| 1    | Corpo       | 1  | Ottone CW617N |
| 2    | Manicotto   | 1  | Ottone CW617N |
| 3    | O-ring      | 1  | NBR           |
| 4    | Battente    | 1  | Ottone CW617N |
| 5    | Tappo       | 1  | Ottone CW614N |
| 6    | O-ring      | 1  | NBR           |
| 7    | Perno       | 1  | Ottone CW614N |

### 130M

|                        | 3/8" | 1/2" | 3/4" | 1"   | 1"1/4 | 1"1/2 | 2"    | 2"1/2 | 3"    | 4"    |
|------------------------|------|------|------|------|-------|-------|-------|-------|-------|-------|
| DN                     | 10   | 15   | 20   | 25   | 32    | 40    | 50    | 65    | 80    | 100   |
| A                      | 43   | 43   | 52   | 62   | 72    | 81    | 94    | 119   | 134   | 169   |
| B                      | 50   | 50   | 58   | 66   | 76    | 86    | 100,2 | 126,7 | 146,5 | 183,5 |
| C                      | 35   | 35   | 38,5 | 42   | 48    | 54    | 61    | 78    | 90    | 111   |
| D                      | 12   | 9,5  | 10   | 13   | 13    | 13    | 13,5  | 20,5  | 22,5  | 30,5  |
| E                      | 8    | 8    | 9    | 11,5 | 11,5  | 14,5  | 13    | 18    | 20    | 24    |
| Kg/cm <sup>2</sup> bar | 16   | 16   | 16   | 12   | 10    | 10    | 10    | 8     | 8     | 8     |
| LBS - psi              | 232  | 232  | 232  | 174  | 145   | 145   | 145   | 116   | 116   | 116   |

### 130G

|                        | 3/8" | 1/2" | 3/4" | 1"   | 1"1/4 | 1"1/2 | 2"    |
|------------------------|------|------|------|------|-------|-------|-------|
| DN                     | 10   | 15   | 20   | 25   | 32    | 40    | 50    |
| A                      | 43   | 43   | 52   | 62   | 72    | 81    | 94    |
| B                      | 50   | 50   | 58   | 66   | 76    | 86    | 100,2 |
| C                      | 35   | 35   | 38,5 | 42   | 48    | 54    | 61    |
| D                      | 12   | 9,5  | 10   | 13   | 13    | 13    | 13,5  |
| E                      | 8    | 8    | 9    | 11,5 | 11,5  | 14,5  | 13    |
| Kg/cm <sup>2</sup> bar | 16   | 16   | 16   | 12   | 10    | 10    | 10    |
| LBS - psi              | 232  | 232  | 232  | 174  | 145   | 145   | 145   |