

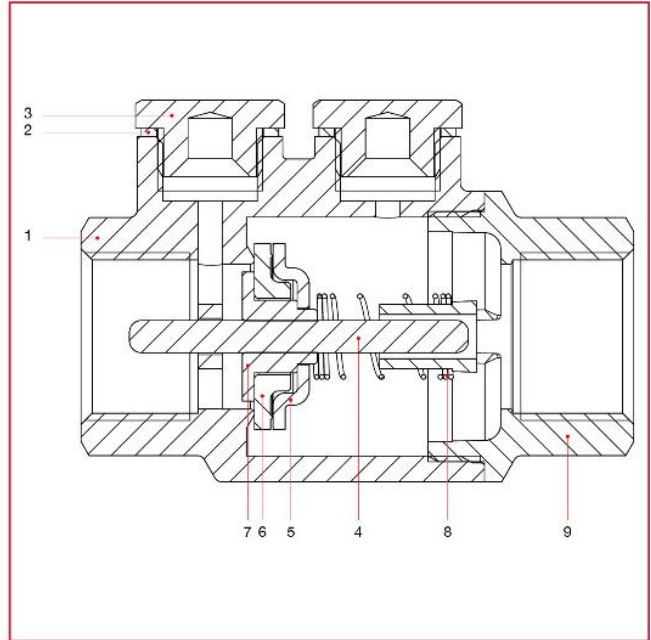


ROMA® CHECK VALVES

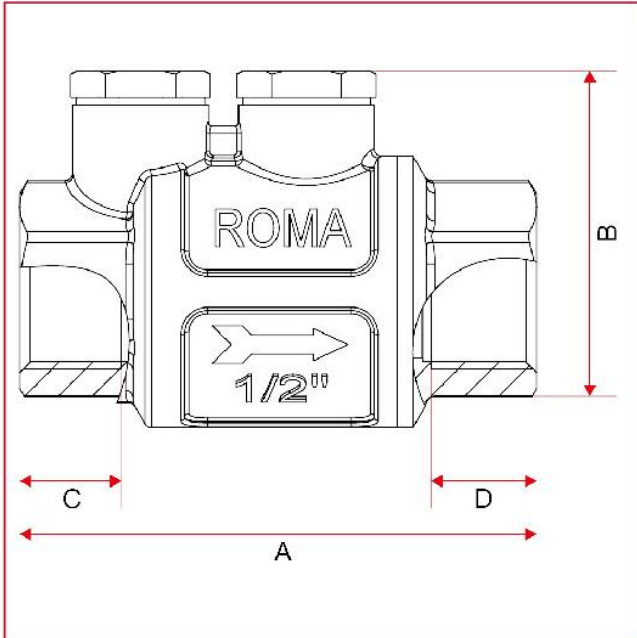
104 ROMA® check valve



MATERIALS



OVERALL DIMENSIONS



POS.	DESCRIPTION	N.	MATERIAL
1	Body	1	Brass CW617N
2	Washer	2	Aluminium
3	Cap	2	Brass CW614N
4	Pin	1	Brass CW614N
5	Plate	1	Stainless steel AISI 304
6	Washer	1	Viton®
7	Cap	1	Brass CW614N
8	Spring	1	Stainless steel AISI 302
9	End adapter	1	Brass CW617N

	3/8"	1/2"	3/4"	1"	1"1/4	1"1/2	2"
DN	10	15	20	25	32	40	50
A	63	68,5	69,5	79	84	93,5	108
B	47,3	47,3	54,5	60,8	72,8	83,3	99,3
C	10	13,5	14	15	16	16	20
D	10	14	14	15	15,5	17	19
Kg/cm2 bar	25	25	25	25	18	18	18
LBS - psi	362,5	362,5	362,5	362,5	261	261	261